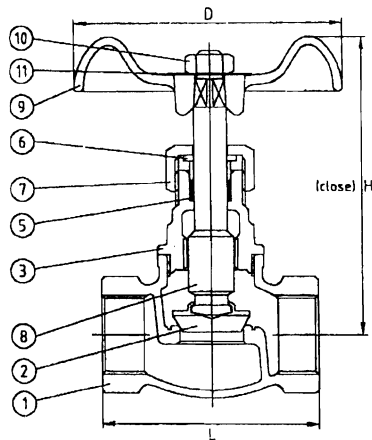


PN20 Bronze Globe Valve Screw in Bonnet with Metal Disc

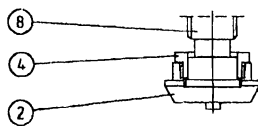
Thread Ends comply to BS21 Taper Thread (ISO 7)
Conforming to BSEN 12288



MATERIAL LIST

PART	MATERIAL	SPECIFICATION (BS)
1. Body	Cast Bronze	1982 CC490K
2. Disc 1/2" - 1"	Brass	12164 CW603N
1-1/4" - 4"	Cast Bronze	1982 CC490K
3. Bonnet	Cast bronze	1982 CC490K
4. Lock Nut	Brass	12164 CW603N
5. Stem Packing	Teflon	PTFE
6. Gland	Brass	12164 CW603N
7. Packing Nut	Brass	12164 CW603N
8. Stem	Brass	12164 CW603N
9. Handwheel	Cast Iron	1561 EN-JL 1030
10. Wheel Nut	Steel	--
11. Name Plate	Aluminum	--

FIG. NO. 303-300



For Sizes 1-1/4" - 3"

Pressure Testing

Shell 30 Bar
Seat 22 Bar

Pressure Rating

9 bar at 180°C
20 bar from -10°C to 100°C

DIMENSIONS (mm)

Nominal Size Inch(mm)	D	H	L	Wt. (Kg)
1/2" (15mm)	53.0	70.0	49.0	0.26
3/4" (20mm)	57.5	70.0	56.0	0.35
1" (25mm)	64.0	87.0	65.0	0.55
1 1/4" (32mm)	74.0	94.0	75.0	0.72
1 1/2" (40mm)	74.0	104.0	84.0	1.01
2" (50mm)	87.0	124.0	99.0	1.54

Freezing weather precaution: Subsequent to testing a piping system, valves should be in an open position to allow complete drainage.