



Water Pressure Reducing Valves



watts.com

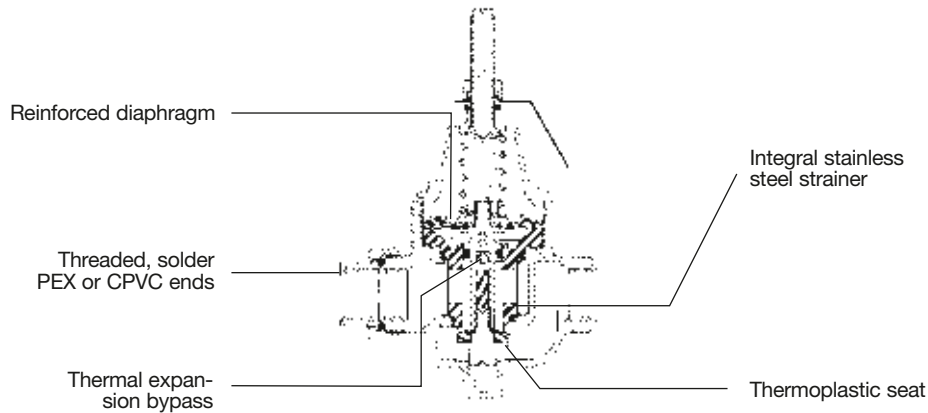
WATTS[®]

Series N45B-M1

Water Pressure Reducing Valves

Sizes: 1/2" – 1" (15 – 25mm)

Series N45B-M1 Water Pressure Reducing Valves are designed to reduce incoming water pressure to a sensible level to protect plumbing system components and reduce water consumption. This series is suitable for water supply pressures up to 400psi (27.6 bar) and may be adjusted from 25 – 75psi (172 – 517 kPa). The standard setting is 50psi (345 kPa). All parts are quickly and easily serviceable without removing the valve from the line. The standard bypass feature permits the flow of water back through the valve into the main when pressures, due to thermal expansion on the outlet side of the valve, exceed the pressure in the main.



Features

- Double union inlet & outlet connections (option DU)
- Integral stainless steel strainer
- Thermoplastic seat & cage
- Bronze body construction
- Serviceable in line
- Bypass feature controls thermal expansion pressure*
- Sealed spring cage on all models for accessible outdoors or pit installations

Models

N45B-M1	NPT threaded female inlet x NPT female outlet
N45BU-M1	NPT threaded union inlet x NPT female outlet
N45BU-S-M1	Solder union inlet x NPT female outlet
N45BDU-M1	Double Union – NPT threaded union female inlet and outlet
N45BDU-S-M1	Double Union – Solder union inlet and outlet
N45BDU-PEX-M1	Double Union – PEX union inlet and outlet
N45BDU-CPVC-M1	Double Union – CPVC union inlet and outlet
N45BDU-QC-M1	Double Union Quick-Connect inlet and outlet
N45DU-QC-M1	Single Union Quick-Connect inlet

Options

- add Suffix:**
- G Gauge tapping
 - GG Gauge tapping and 160psi (11 bar) gauge
- add Prefix:**
- LF Lead Free† construction

Pressure – Temperature

Temperature Range: 33°F – 180°F (0.5°C – 82°C)
 Maximum Working Pressure: 400psi (27.6 bar)
 Adjustable Reduced Pressure Range: 25 – 75psi (172 – 517 kPa)
 Standard Reduced Pressure Setting: 50psi (345 kPa)

Standards

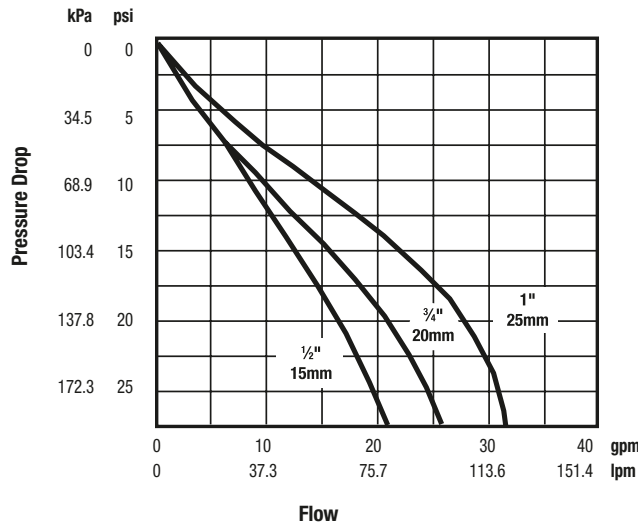


Meets requirements of ASSE Standard 1003; (ANSI A112.26.2) and CSA Standard B356; Certified by NSF to ANSI/NSF Standard 61-8, (LF N45B-M1 models only). Listed by IAPMO and City of Los Angeles.

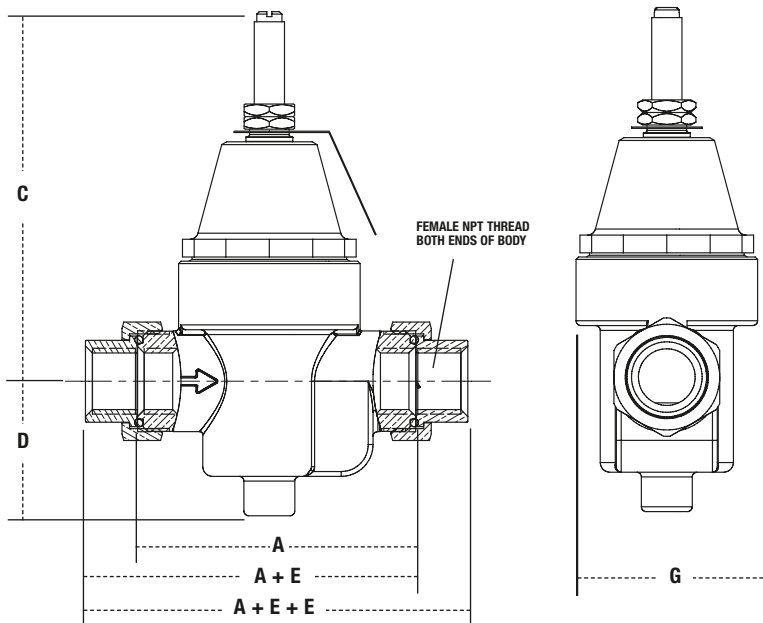
†The combined metal components of this product contacted by potable water contain less than one half of one percent (0.5%) of lead by weight.

*Bypass will not work if inlet pressure is above 150psi (10.34 bar)

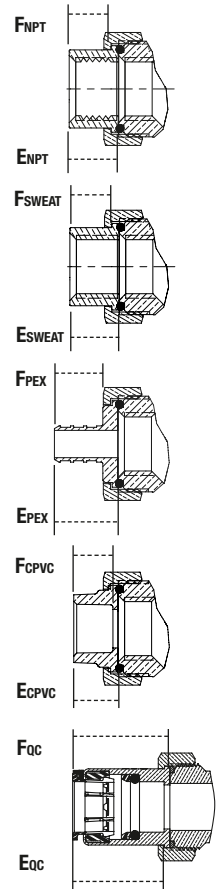
Capacity



Dimensions — Weights



ABOVE VALVE SHOWN WITH SINGLE NPT UNION CONNECTION ON INLET
 VALVES MAY BE ORDERED WITH 0,1 OR 2 UNION CONNECTIONS USING ANY
 COMBINATION OF NPT, SOLDER, PEX OR CPVC CONNECTIONS REQUIRED
 F DIMENSIONS ARE APPROXIMATE ENGAGEMENT LENGTHS.



SIZE (DN)		DIMENSIONS (APPROX.)														WEIGHT	
in.	mm	A	C	D	ENPT	ESWEAT	EPEX	ECPVC	Eoc	FNPT	FSWEAT	FPEX	FCPVC	Foc	G	lbs.	kgs.
1/2	15	37/16 88	49/16 116	111/16 43	5/8 16	5/8 15	13/16 21	9/16 15	17/8 36	1/2 13	1/2 13	5/8 16	1/2 13	1 1/2 38	2 1/4 57	2	.91
3/4	20	37/16 88	49/16 116	111/16 43	5/8 16	7/8 21	15/16 24	13/16 21	19/16 40	9/16 14	3/4 19	5/8 16	3/4 18	1 11/16 42	2 1/4 57	2	.91
1	25	4 1/8 105	49/16 116	1 1/16 43	3/4 20	1 26	1 1/8 29	1 1/16 26	1 1/16 43	1 1/4 17	15/16 23	13/16 21	15/16 23	1 3/4 45	2 1/4 57	3	1.36