

## Groove Butterfly Valve Gear Operated, 300PSI **FIG. F1022-300**

### Specification

- Vulcanized disc design for bubble-tight shutoff at 300 psi.
- Flag type position indicator.
- Low torque operation, high cycle life.
- With built-in supervisory switch.
- Top flange to ISO 5211/1.
- With groove to Metric or AWWA C606 standard.
- UL listed.

### Working Pressure

- 300PSI
- 200PSI and 250PSI available on request

### Working Temperature

- 0.6°C to 52°C

### Corrosion Protection

- Internally and externally fusion bonded epoxy powder coated (FBE).

### Drawing and Picture



**Notes:** Design and material are subject to change without notice.

### Installation of Gear Operator With Tamper Switch

Butterfly valves are provided with internal supervisory position switches. The tamper switch operates by a cam connected to the valve stem. The switch will change position and close within two (2) full turns of the handwheel from the fully open position.

Switch #1:

For connection to the supervisory circuit

Normally closed: 2 Yellow

Normally open: 2 Red

Common: 2 White

Switch #2:

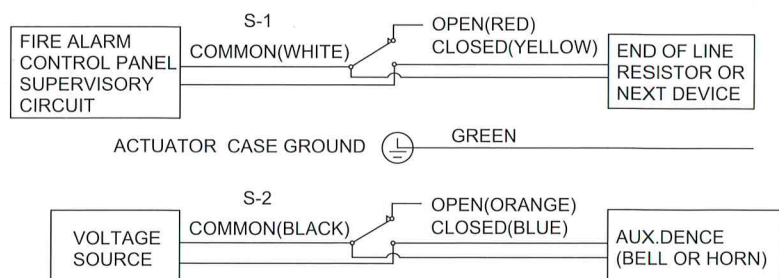
Auxiliary switch connected per authority

Normally closed: 1 Blue

Normally open: 1 Orange

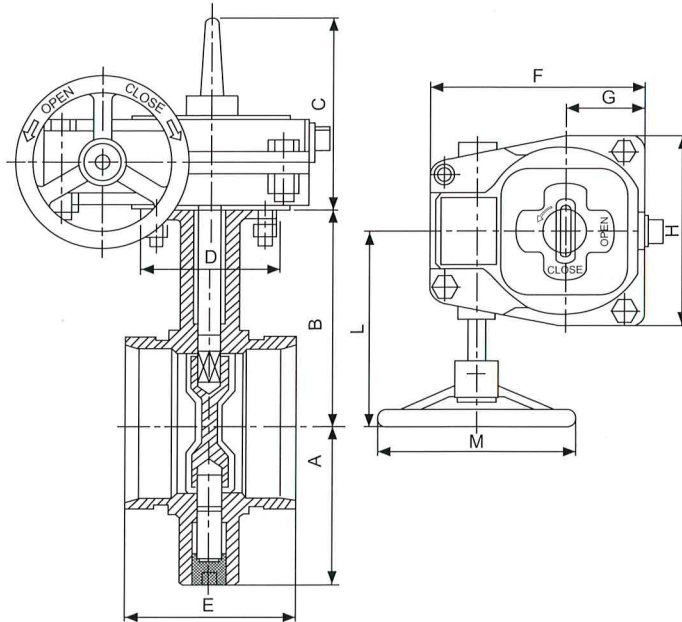
Common: 1 Black

Ground Lead: 1 Green



- NOTES
1. Item No. : VSION 021 C2
  2. Rated : 10A 125-250VAC

Groove Butterfly Valve  
Gear Operated, 300PSI  
**FIG. F1022-300**



**Material Specification**

Part Name		Material	EN Spec.	ASTM Spec.
Valve	Body	Ductile Iron	EN-JS1050	A536 65-45-12
	Disc	Ductile Iron, EPDM coated	EN-JS1050	A536 65-45-12
	Shaft Upper	Stainless Steel	BS970 431S29	AISI 431
	Shaft Lower	Stainless Steel	BS970 431S29	AISI 431
	Bushing	Brass	CuZn39Pb3	B16 C36000
Gear Operator	Housing	Cast Iron	EN-JL1040	A126 Class B
	Cover	Cast Iron	EN-JL1040	A126 Class B
	Wormgear	Brass	CuZn39Pb3	B16 C36000
	Worm	Stainless Steel	BS970 420S37	AISI 420
	Handwheel	Cast Iron	EN-JL1040	A126 Class B

**Dimensions (mm/inch)**

Size	A	B	D	E	C	F	G	H	L	M
DN50	77	99	90	84	120	170	65	155	150	200
DN65	85	112	90	97						
DN80	90	115	90	97						
DN100	108	145	90	116						
DN125	120	138.5	90	148						
DN150	145	185	90	148	160	225	85	206	200	300
DN200	180	200	125	133						
DN250	230	250	125	159						
DN300	260	275	125	165						