

HOSE VALVES

ANGLE

FEMALE x MALE

FUNCTION: Used with a fire hose rack assembly or as a fire dept outlet connection.

REGULARLY FURNISHED: Cast brass valve with red handwheel. Female NPT inlet x male hose thread outlet. 300 PSI/20.6 bars.

Model

- 4060 1½" / 3.8 cm Size
- 4065 2½" / 6.4 cm Size

SPECIFY: Thread

OPTIONAL FINISHES:

- B Polished Brass
- C Rough Chrome Plated
- D Polished Chrome Plated

VARIATIONS:

Extended stem up to 24" / 61 cm, **SPECIFY:** Length
 ⅛" / .3 cm petcock **SPECIFY:** Location.

Size	UL Listed	FM Approval	A in. / cm	B in. / cm	Closed C in. / cm	Open C in. / cm	D in. / cm	E in. / cm
1½" / 3.8cm	YES	YES	2¼ / 5.7	3½ / 8.9	6½ / 16.5	7½ / 19	2½ / 6.4	2 / 5
2½" / 6.4cm	YES	YES	3½ / 8.9	5 / 12.7	9½ / 24.1	11½ / 29.2	3½ / 8.9	2¾ / 6.9

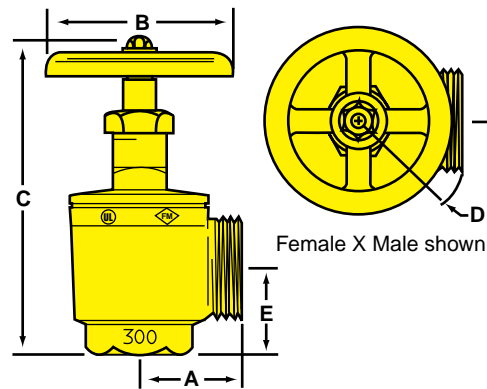
DOUBLE FEMALE

FUNCTION: Used with a fire hose rack assembly.

REGULARLY FURNISHED: Cast brass valve with red handwheel. Female NPT inlet and outlet. 300 PSI/20.6 bars.

Model

- 4070 1½" / 3.8 cm Size
- 4075 2½" / 6.4 cm Size



4060 & 4065



4070 & 4075



ADJUSTABLE PRESSURE RESTRICTING ANGLE VALVE

FEMALE x MALE

FUNCTION: Used with a fire hose rack assembly or as a fire dept outlet connection. Water pressure is controlled by adjustable flow restriction. If full flow is required, the restriction may be overridden.

REGULARLY FURNISHED: Cast brass valve with red handwheel with pressure restricting feature. Female NPT inlet x male hose thread outlet. 175 PSI/12 bars rated. Furnished with field setting chart.

Model

- 4080 1½" / 3.8 cm Size
- 4085 2½" / 6.4 cm Size

SPECIFY: Thread

OPTIONAL FINISHES:

- B Polished Brass
- C Rough Chrome Plated
- D Polished Chrome Plated

Size	UL Listed	FM Approval	A in. / cm	B in. / cm	Closed C in. / cm	Open C in. / cm	D in. / cm	E in. / cm
1½" / 3.8cm	YES	NO	2¼ / 5.7	3½ / 8.9	6½ / 16.5	7½ / 19	2½ / 6.4	2 / 5
2½" / 6.4cm	YES	NO	3½ / 8.9	5 / 12.7	9½ / 24.1	11½ / 29.2	3½ / 8.9	2¾ / 6.9

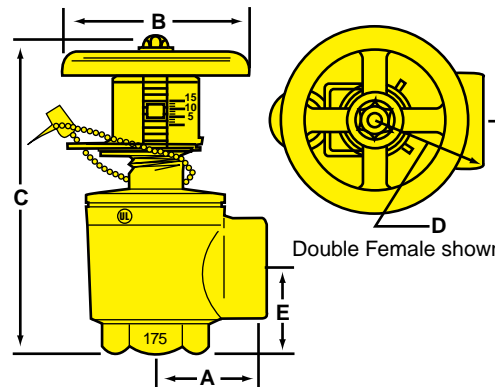
DOUBLE FEMALE

FUNCTION: Used with a fire hose rack assembly. Water pressure is controlled by adjustable flow restriction. If full flow is required, the restriction may be overridden.

REGULARLY FURNISHED: Cast brass valve with red handwheel with pressure restricting feature. Female NPT inlet and outlet. 175 PSI/12 bars rated. Furnished with field setting chart.

Model

- 4090 1½" / 3.8 cm Size
- 4095 2½" / 6.4 cm Size



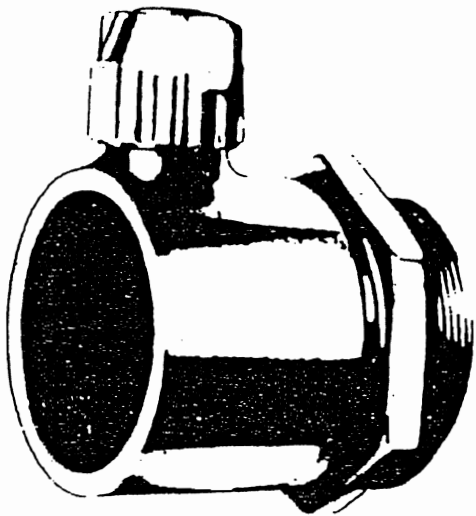
4080 & 4085



4090 & 4095



QUICK COUPLING ADAPTOR
WITH CAP FOR ANGLE HOSE
VALVE



CAST BRASS
MALE SCREW FEMALE
INSTANTANEOUS



CAST BRASS
INSTANTANEOUS MALE