



## AUGUS Fire Hose Reel "We are your security"

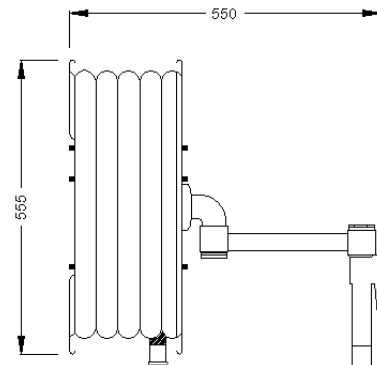
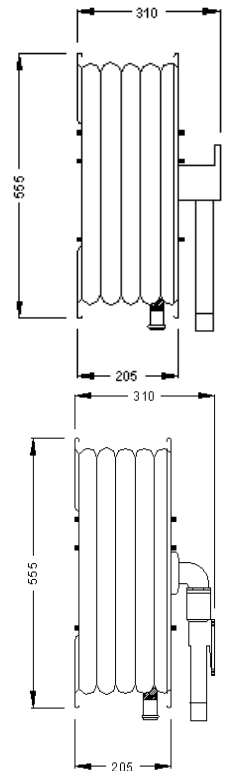
### PRODUCT DESCRIPTIONS

**AUGUS** Hose Reels are designed and manufactured according to the European Standard BS EN 671-1 for the locations where a more comprehensive approach is required for tackling a fire.

**AUGUS** Hose Reels have an extensive range with swinging & fixed type with manual & automatic operation to suit any architectural and installation requirements.

Automatic fire hose reels are available with an internal valve built into the hose reel unit, the automatic stop valve opens to provide full capacity within just three revolutions of the reel. All reels are epoxy polyester powder coated for corrosion protection and long life.

**AUGUS** Hose Reel is suitable for use in office buildings, schools, hotels, conference centers, hospitals, sports arenas, cinemas, airports, shopping centers, and industrial buildings



### FEATURES

- Easy to install and maintenance
- Simple and compact
- Light to handle
- Automatic, manual operation
- Choice of two sizes 19 mm (¾") and 25 mm. (1") bore hose
- Hose is semi rigid made of rubber in red color manufactured to European Standards EN 694
- Working pressure 15 bar
- Proof pressure 30 bar
- Minimum burst pressure 50 bar
- Jet / Spray / Shut – Off Nozzle made of rigid plastic and chrome plated brass fast opening
- Outlet connection for hose can be rotated for left and right
- The hose reels are designed, manufactured, and tested according to BS EN671-1

### MANUAL FIRE HOSE REEL

MODEL		DESCRIPTION	
FIXED TYPE	SWING TYPE	DRUM CAPACITY	SIDE PALTE DIA.
AU 15 F	AU 15	Ø3/4" x 30 m.	483 (19")
AU 25 F	AU 25	Ø1" x 30 m.	555 (23.65")

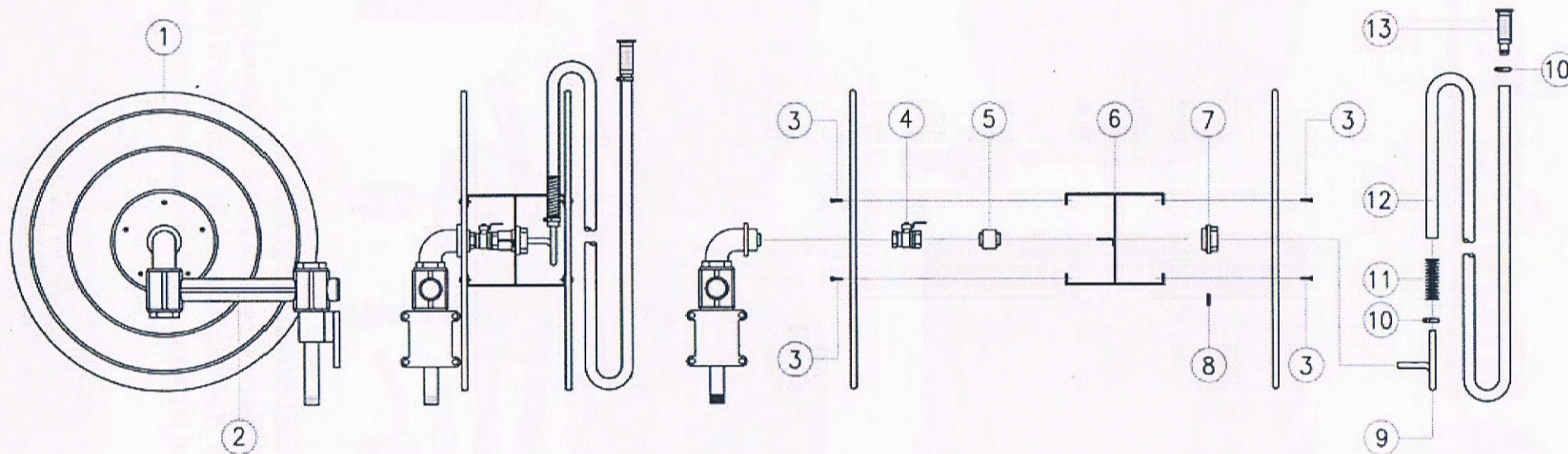
### AUTOMATIC FIRE HOSE REEL

MODEL		DESCRIPTION	
FIXED TYPE	SWING TYPE	DRUM CAPACITY	SIDE PALTE DIA.
AU 19 F	AU 19	Ø3/4" x 30 m.	483 (19")
AU 30 F	AU 30	Ø1" x 30 m.	555 (22")



Double Automatic Swing  
Model : AU 30

# FIRE HOSE REEL



## Material List

Item	Description	Material
1	Drum	Galvanize steel red epoxy coating
2	Arm	Aluminum alloy
3	Bolt	Stainless steel
4	Automatic valve	Brass, nickel chrome plate
5	Nipple	Aluminum alloy
6	Hub	Steel
7	Adaptor	Aluminum alloy

Item	Description	Material
8	Expansion bolt	Steel
9	Waterway	Aluminum alloy
10	Clamp	Stainless steel
11	Spring	Stainless steel
12	Hose	Reinforced thermoplastic
13	Jet/Spray nozzle	Brass, nickel chrome plate